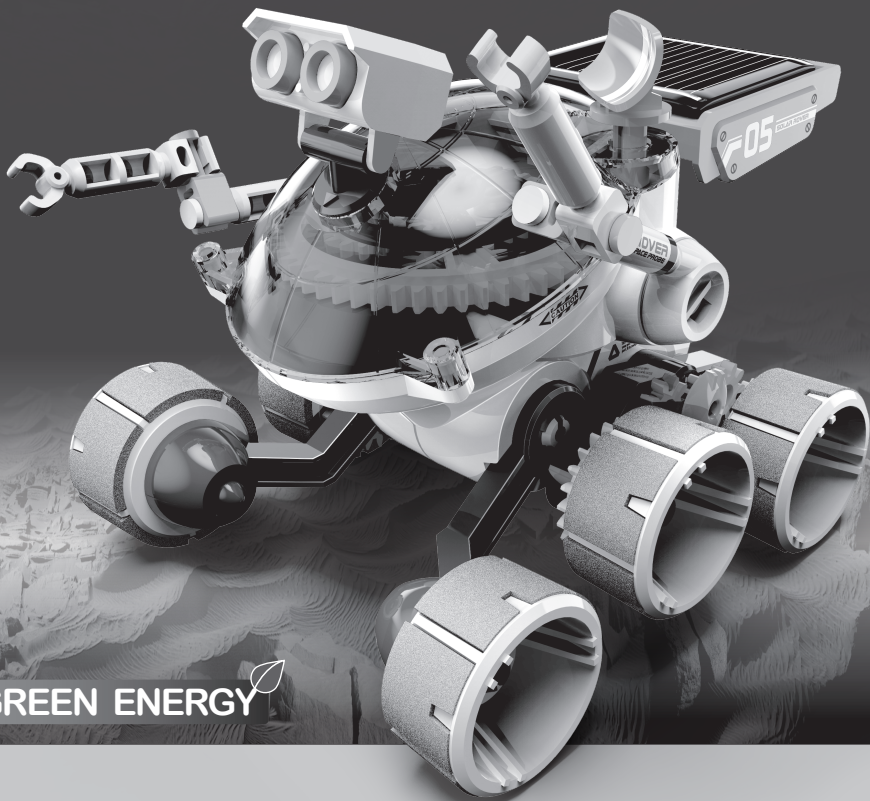


SOLAR ROVER, Construction kit

MANUAL

Assembly & Instruction

Art.No.: 71750



GREEN ENERGY 



ATTENTION



- Possibility of injury due to sharp corners and edges!
- Keep the address of the company - Not suitable for children under 3 years! - Contains small parts!



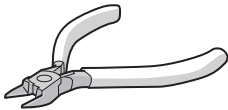
SOLAR ROVER

This is an all-terrain Solar vehicle, equipped with 6-Wheel mechanical Suspension and 4-wheel drive system, this super Rover conquers and goes beyond boundaries.

Additionally, fantastic Planetary gears transmission system and adjustable robotic arms to add more interesting and fun for children to play and learn.

The Sun, The Rover, go your adventure Journey.

Tool You May Need



Diagonal Cutter

Mechanical Parts List

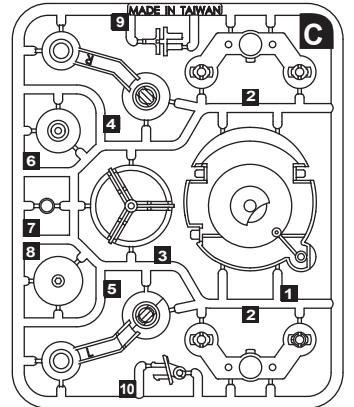
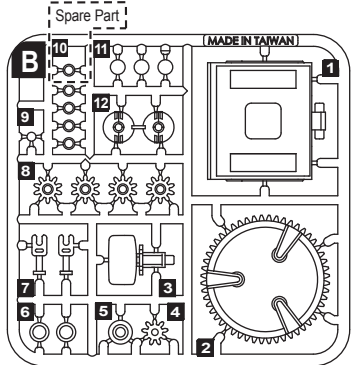
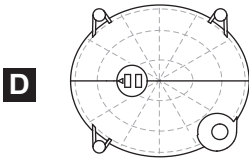
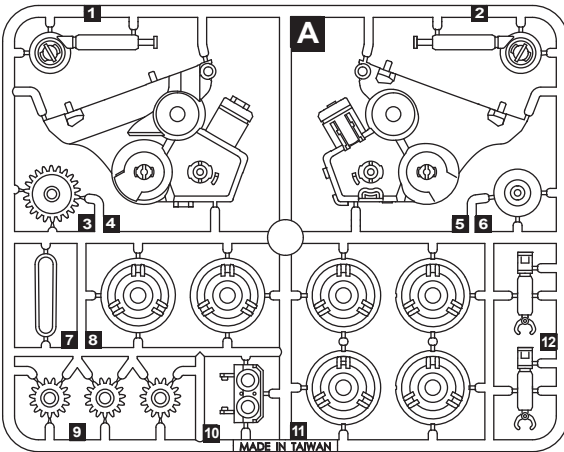
! Product contains functional edges and sharp points.

P1	Solar Panel With Motor	QTY
	<p>! Don't connect the wires to the mains.</p>	1

<table border="1"> <thead> <tr> <th>P2</th> <th>Gear(Yellow)</th> <th>QTY</th> </tr> </thead> <tbody> <tr> <td></td> <td> </td> <td>1</td> </tr> </tbody> </table>	P2	Gear(Yellow)	QTY			1	<table border="1"> <thead> <tr> <th>P3</th> <th>Gear(Orange)</th> <th>QTY</th> </tr> </thead> <tbody> <tr> <td></td> <td> </td> <td>4</td> </tr> </tbody> </table>	P3	Gear(Orange)	QTY			4	<table border="1"> <thead> <tr> <th>P4</th> <th>Gear(Red)</th> <th>QTY</th> </tr> </thead> <tbody> <tr> <td></td> <td> </td> <td>1</td> </tr> </tbody> </table>	P4	Gear(Red)	QTY			1	<table border="1"> <thead> <tr> <th>P5</th> <th>Sponge</th> <th>QTY</th> </tr> </thead> <tbody> <tr> <td></td> <td> </td> <td>2</td> </tr> </tbody> </table>	P5	Sponge	QTY			2
P2	Gear(Yellow)	QTY																									
		1																									
P3	Gear(Orange)	QTY																									
		4																									
P4	Gear(Red)	QTY																									
		1																									
P5	Sponge	QTY																									
		2																									
<table border="1"> <thead> <tr> <th>P6</th> <th>Hex Shaft</th> <th>QTY</th> </tr> </thead> <tbody> <tr> <td></td> <td> </td> <td>1</td> </tr> </tbody> </table>	P6	Hex Shaft	QTY			1	<table border="1"> <thead> <tr> <th>P7</th> <th>Round Shaft (Short)</th> <th>QTY</th> </tr> </thead> <tbody> <tr> <td></td> <td> <p>(2x16mm)</p> </td> <td>1</td> </tr> </tbody> </table>	P7	Round Shaft (Short)	QTY		<p>(2x16mm)</p>	1	<table border="1"> <thead> <tr> <th>P8</th> <th>Round Shaft (Medium)</th> <th>QTY</th> </tr> </thead> <tbody> <tr> <td></td> <td> <p>(2x23mm)</p> </td> <td>2</td> </tr> </tbody> </table>	P8	Round Shaft (Medium)	QTY		<p>(2x23mm)</p>	2	<table border="1"> <thead> <tr> <th>P9</th> <th>Round Shaft (Long)</th> <th>QTY</th> </tr> </thead> <tbody> <tr> <td></td> <td> <p>(2x26mm)</p> </td> <td>1</td> </tr> </tbody> </table>	P9	Round Shaft (Long)	QTY		<p>(2x26mm)</p>	1
P6	Hex Shaft	QTY																									
		1																									
P7	Round Shaft (Short)	QTY																									
	<p>(2x16mm)</p>	1																									
P8	Round Shaft (Medium)	QTY																									
	<p>(2x23mm)</p>	2																									
P9	Round Shaft (Long)	QTY																									
	<p>(2x26mm)</p>	1																									
<table border="1"> <thead> <tr> <th>P10</th> <th>Sticker</th> <th>QTY</th> </tr> </thead> <tbody> <tr> <td></td> <td> </td> <td>1</td> </tr> </tbody> </table>	P10	Sticker	QTY			1	<table border="1"> <thead> <tr> <th>P11</th> <th>Sponge</th> <th>QTY</th> </tr> </thead> <tbody> <tr> <td></td> <td> </td> <td>1</td> </tr> </tbody> </table>	P11	Sponge	QTY			1														
P10	Sticker	QTY																									
		1																									
P11	Sponge	QTY																									
		1																									

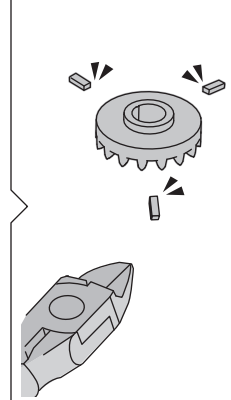
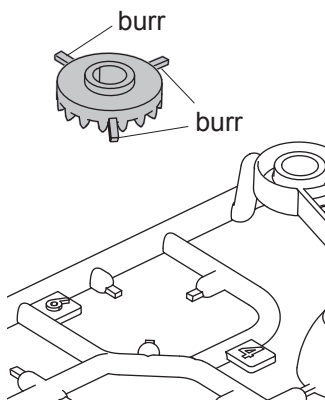
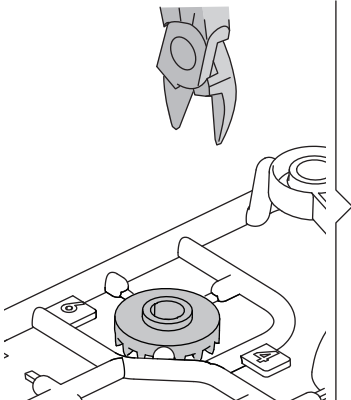
Plastic Parts

! Cut the plastic parts when they are required.
Do not cut them in advance.



Hints

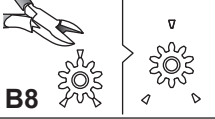
Cut off the burrs before assembly.



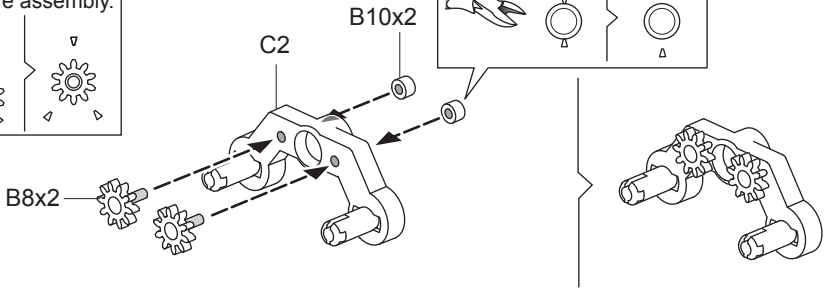
Mechanical Assembly

1

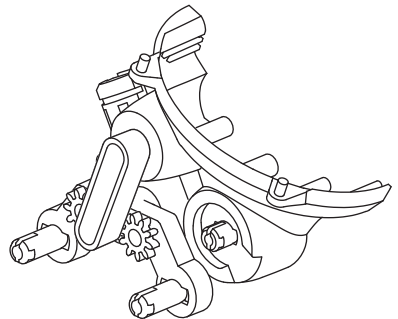
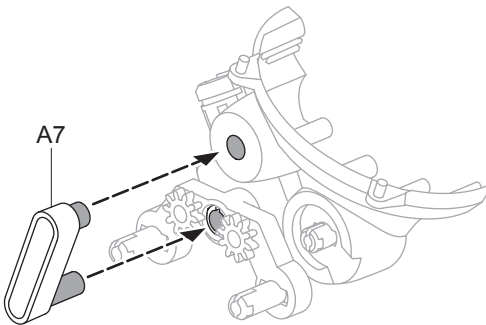
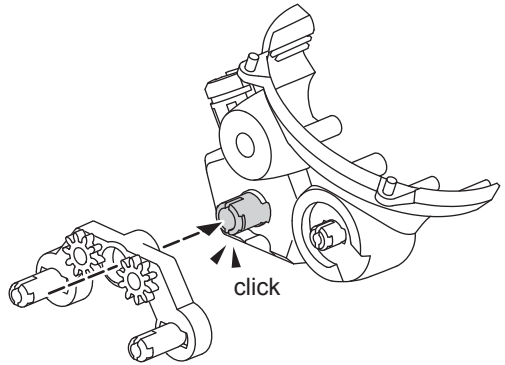
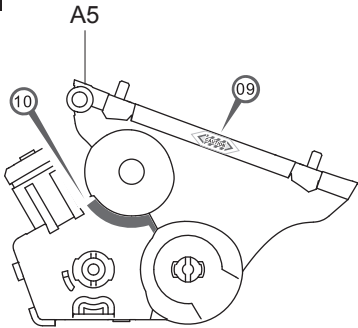
! Cut off B8 burrs before assembly.



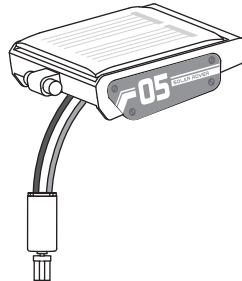
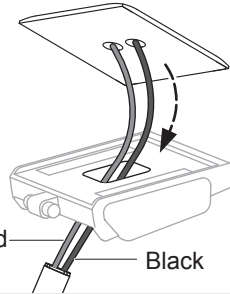
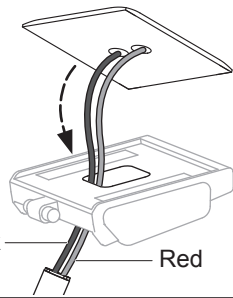
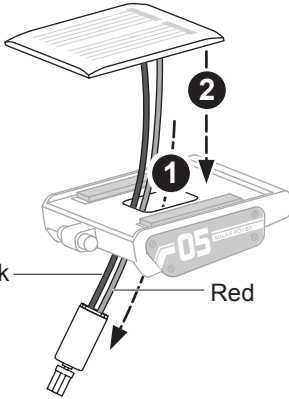
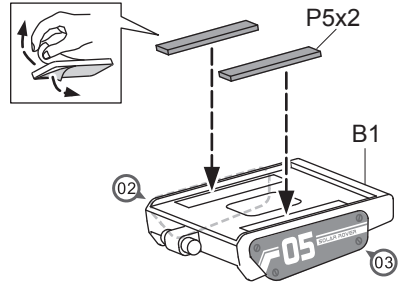
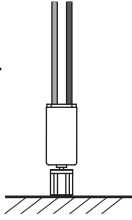
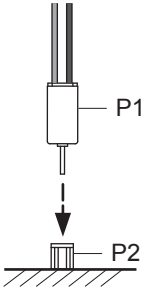
! Cut off B10 burrs before assembly.



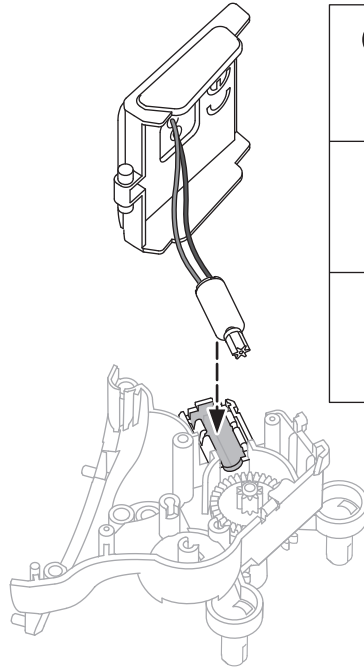
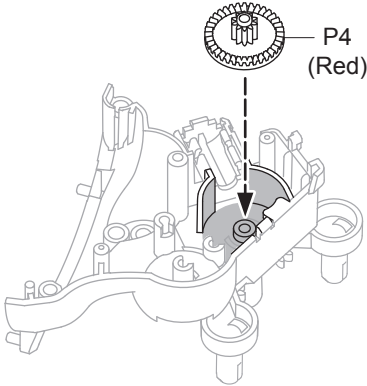
2



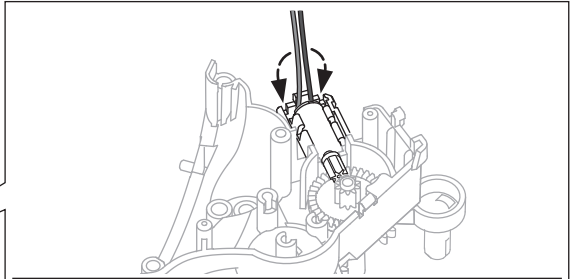
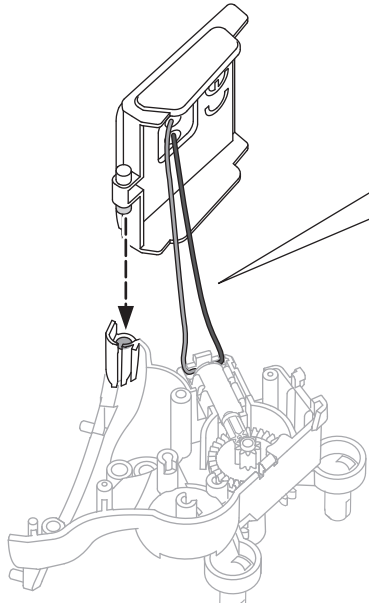
3



4



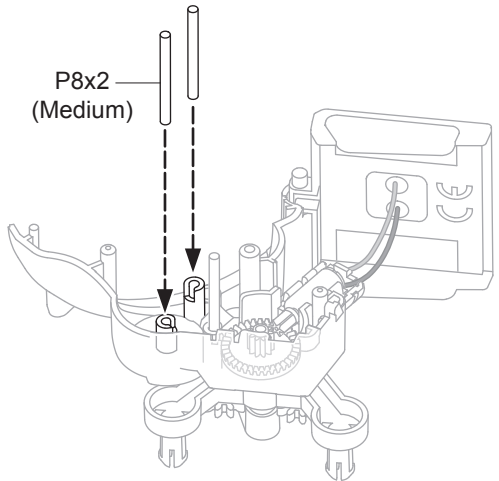
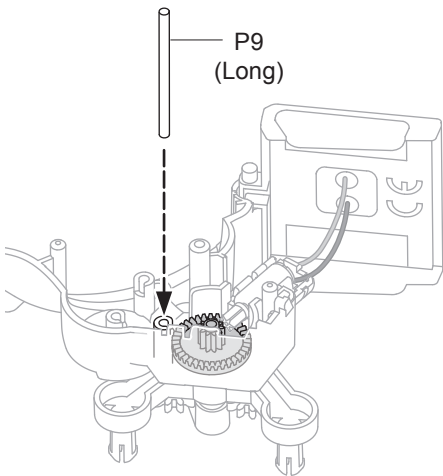
○ Correct
✗ Incorrect
✗ Incorrect



○ Correct	Black	✗ Incorrect	Red
-----------	-------	-------------	-----

This diagram shows two methods of connecting the cable to the gear mechanism. The left method, labeled 'Correct', shows a black cable being connected. The right method, labeled 'Incorrect', shows a red cable being connected.

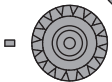
5



! Cut off C6 burrs before assembly.



C6



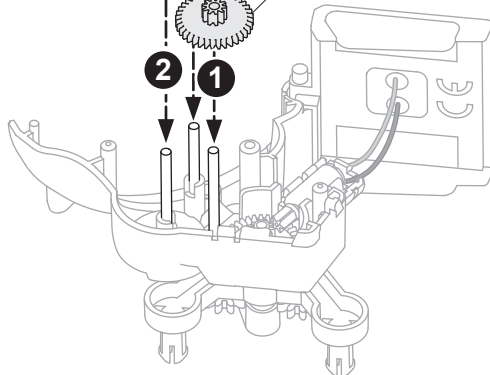
3



2

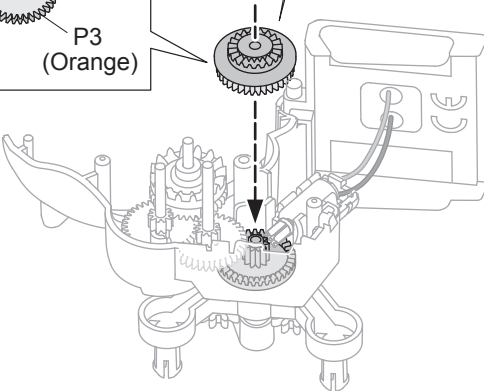
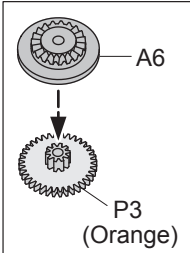
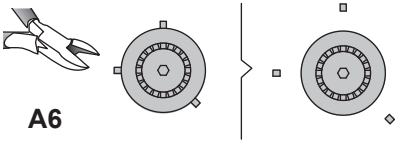


1

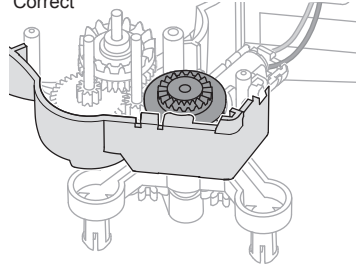


6

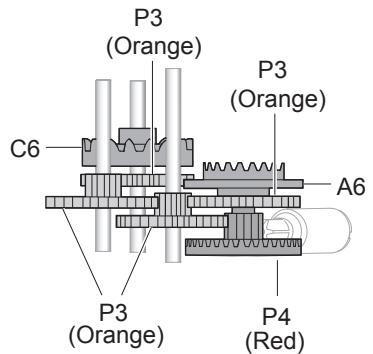
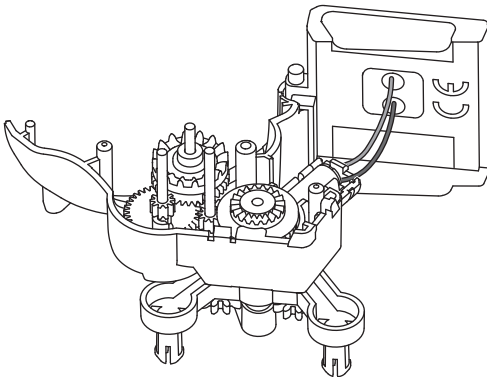
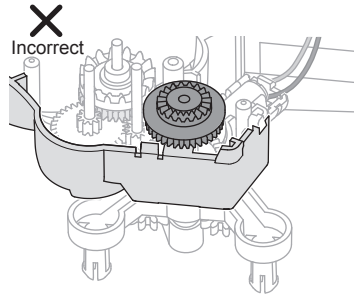
! Cut off A6 burrs before assembly.

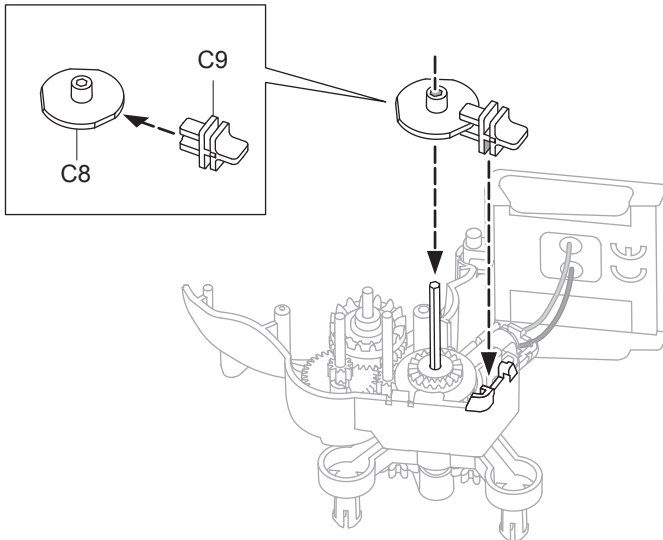
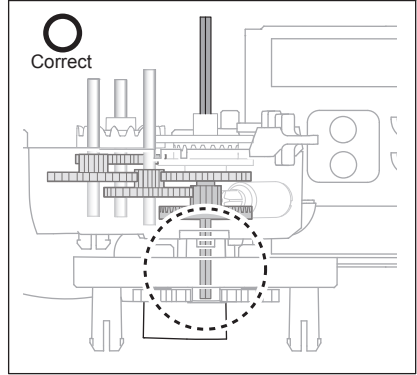
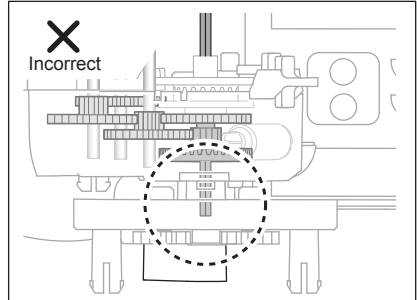
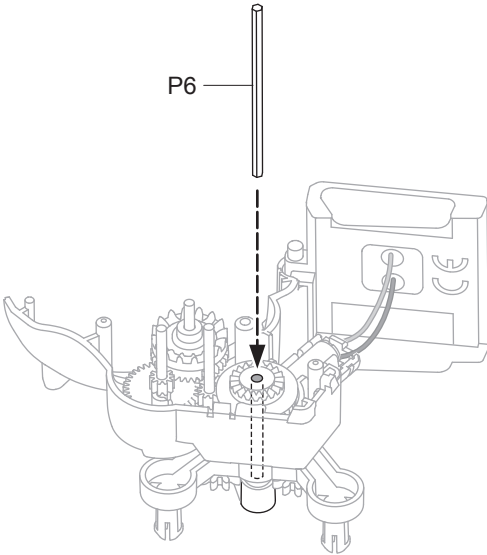


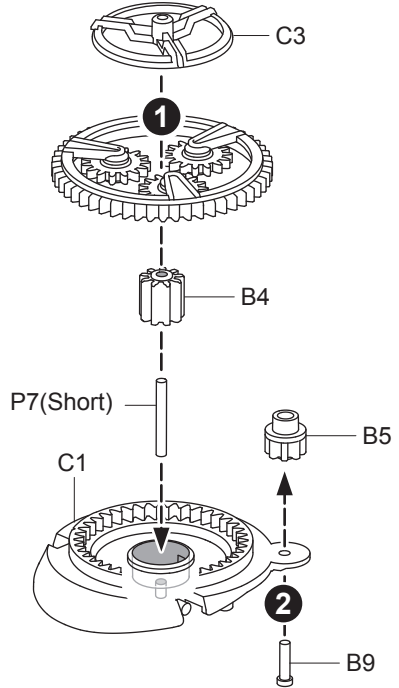
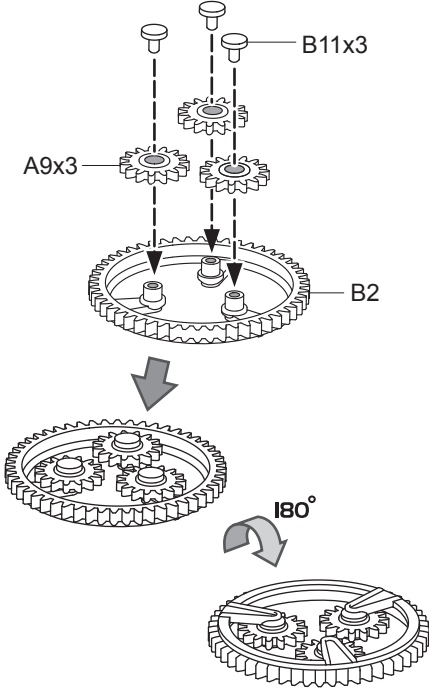
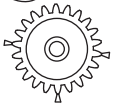
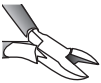
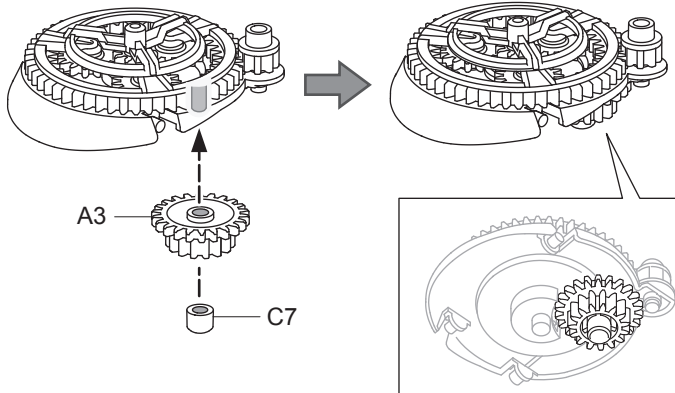
○
Correct



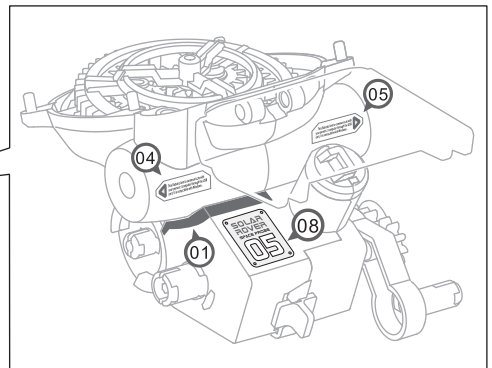
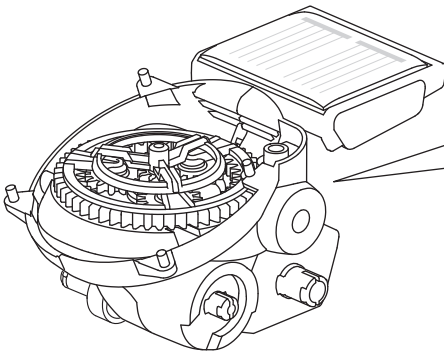
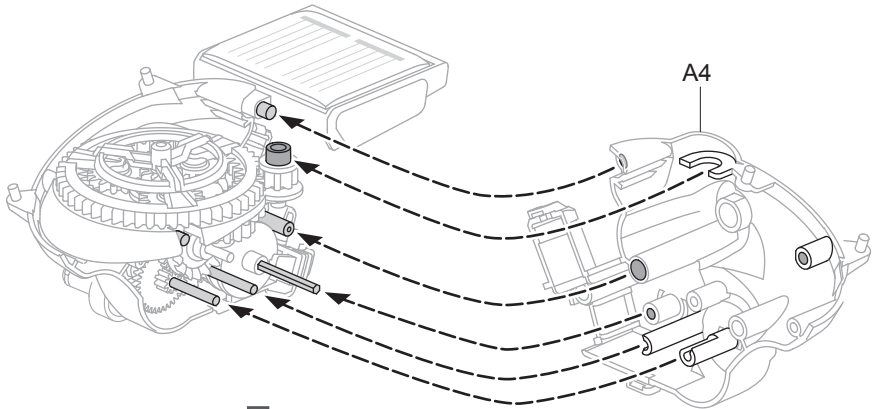
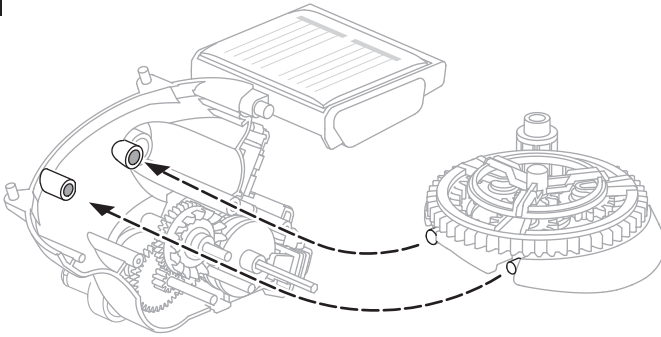
✗
Incorrect





8**!** Cut off A9 burrs before assembly.**A9****!** Cut off B4 burrs before assembly.**B4****!** Cut off A3 burrs before assembly.**A3**

9

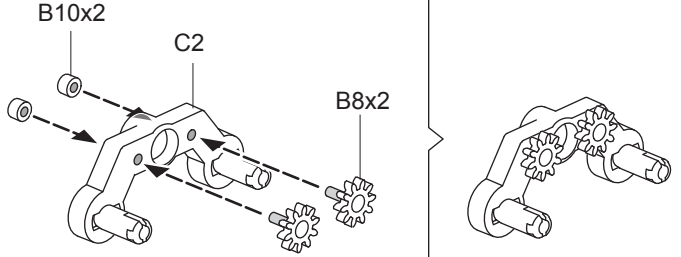


10

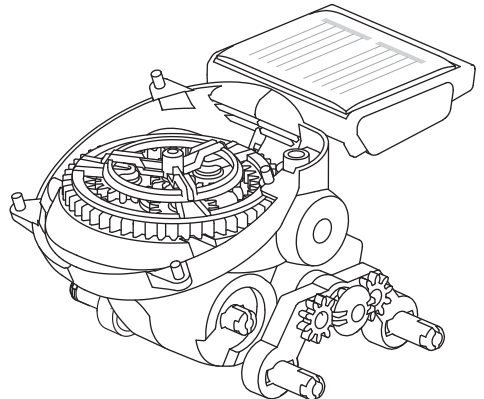
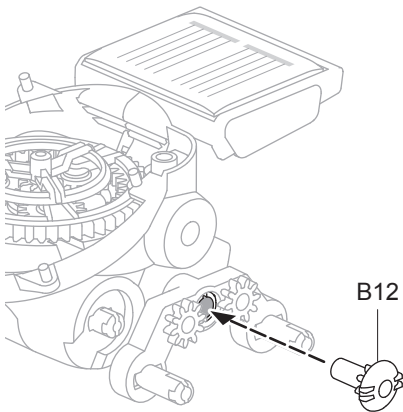
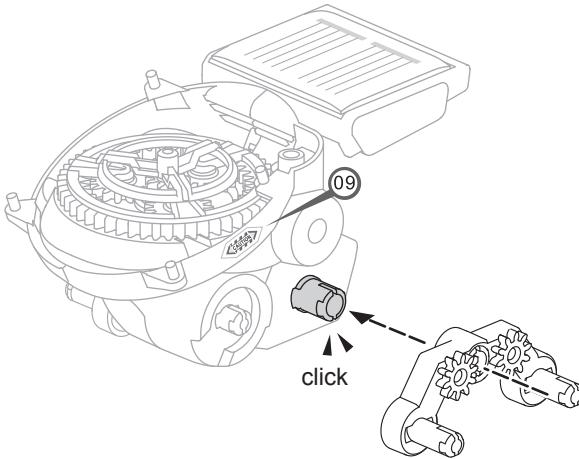
! Cut off B8 burrs before assembly.



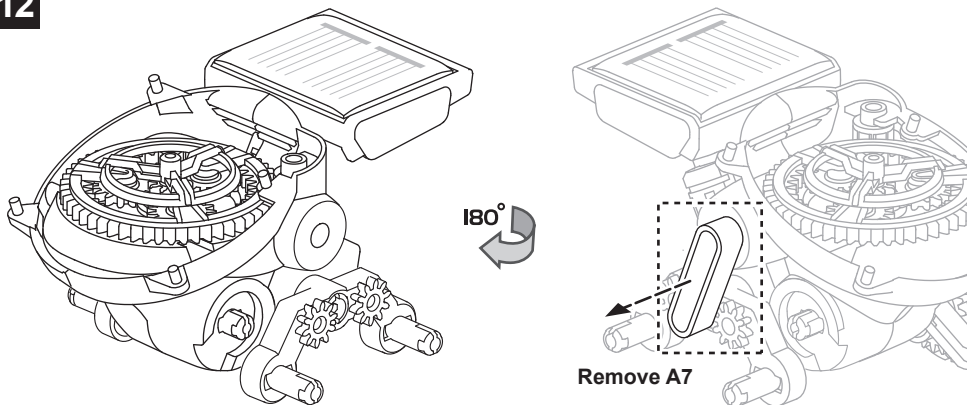
B8



11

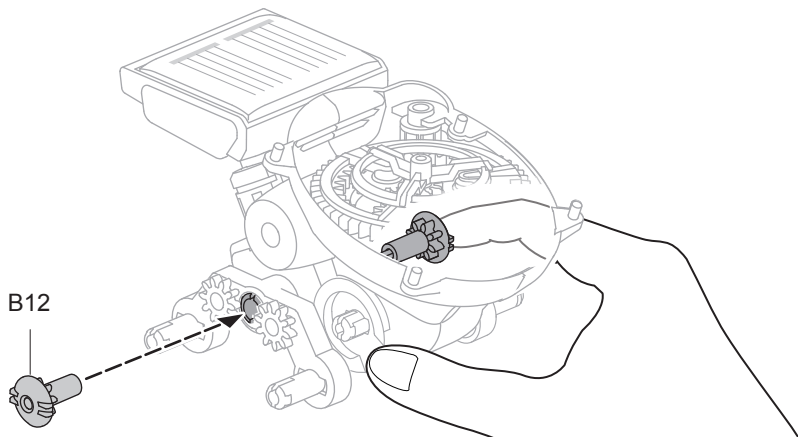


12



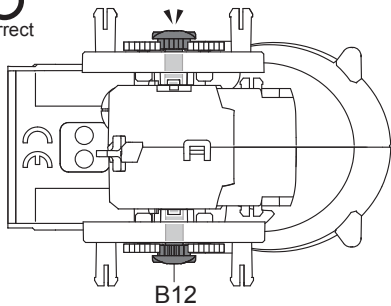
13

Use your finger to hold the other side of B12, it may help you assemble both B12 smoothly.

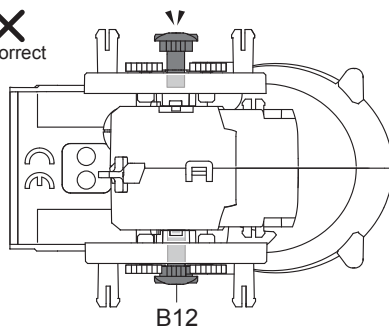


Bottom View

○
Correct

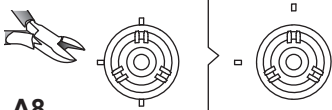


✗
Incorrect

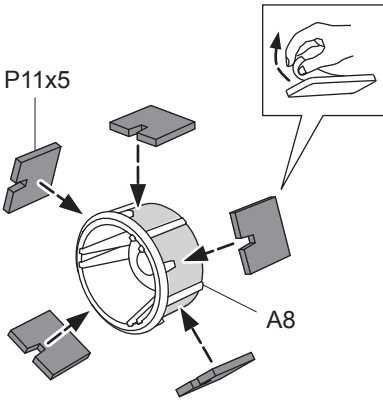


14

! Cut off A8 burrs before assembly.



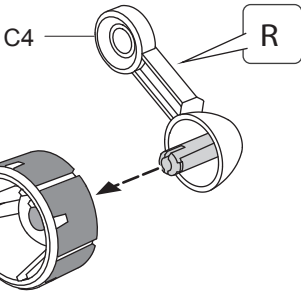
A8



P11x5

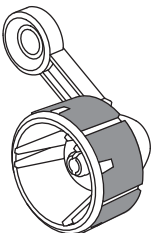


A8



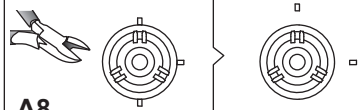
C4

R

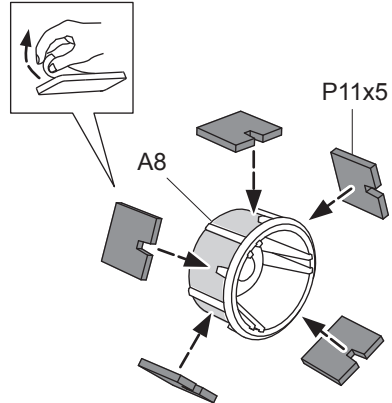


15

! Cut off A8 burrs before assembly.



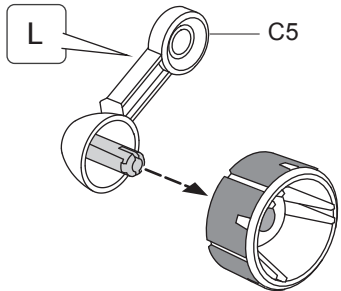
A8



P11x5

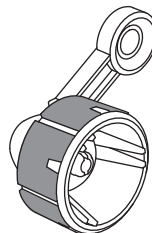


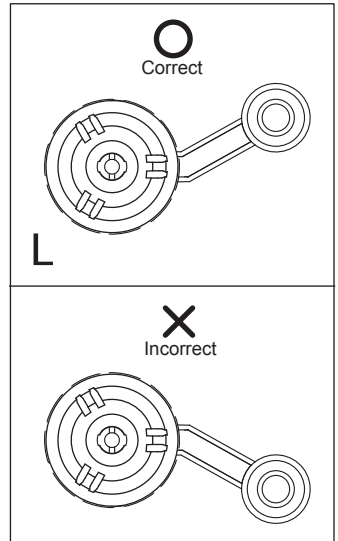
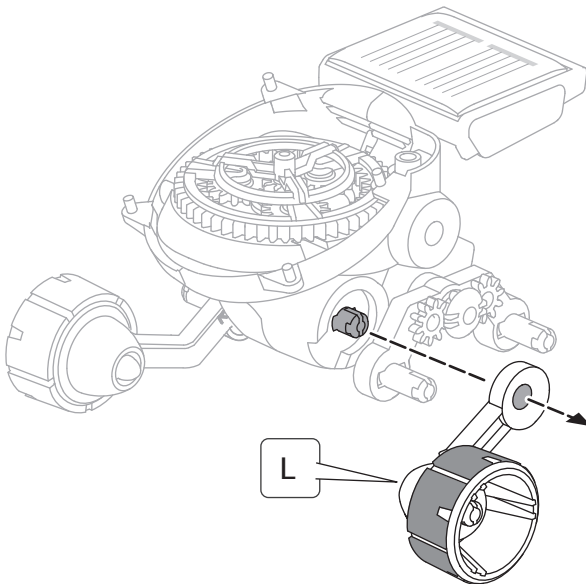
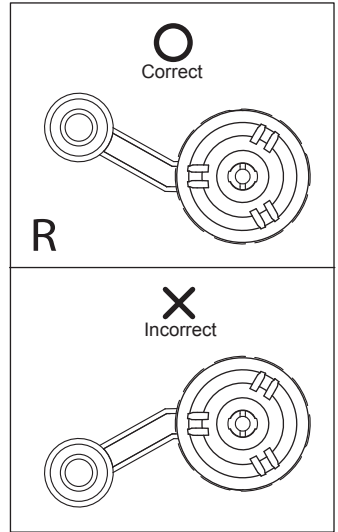
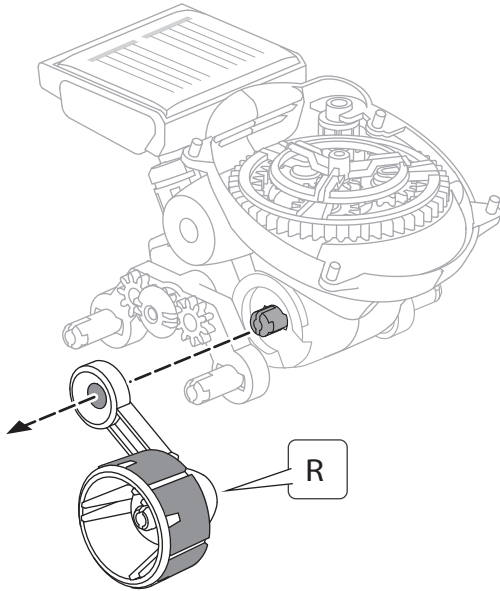
A8



L

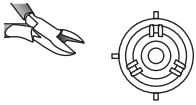
C5



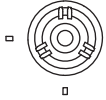


17

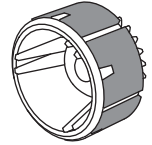
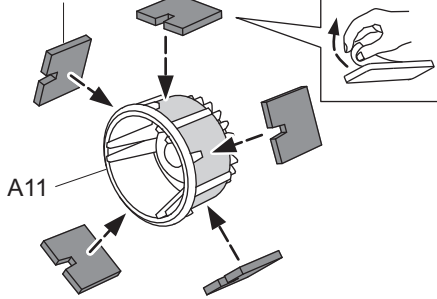
! Cut off A11 burrs before assembly.



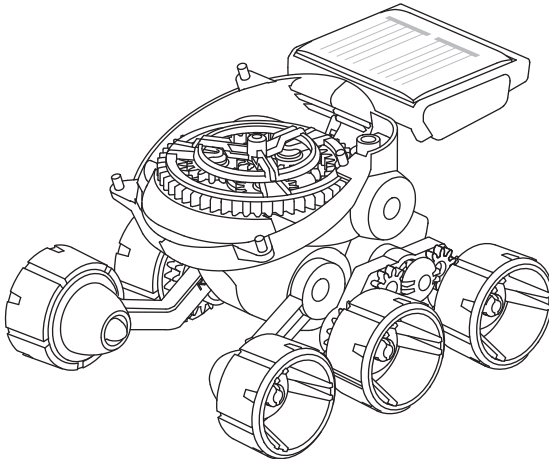
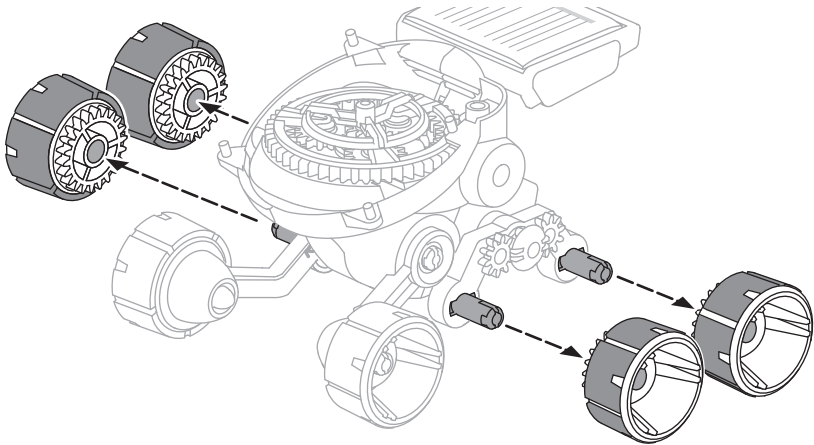
A11



P11x5

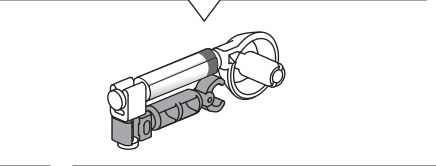
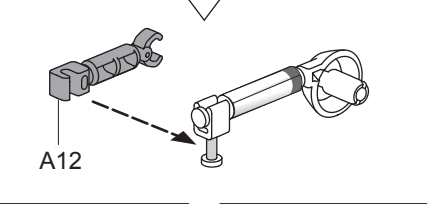
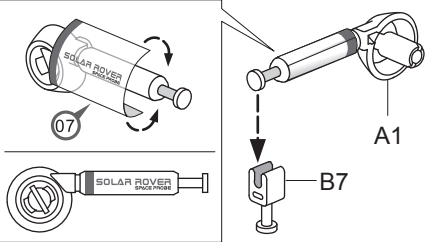
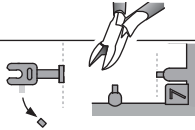


×4



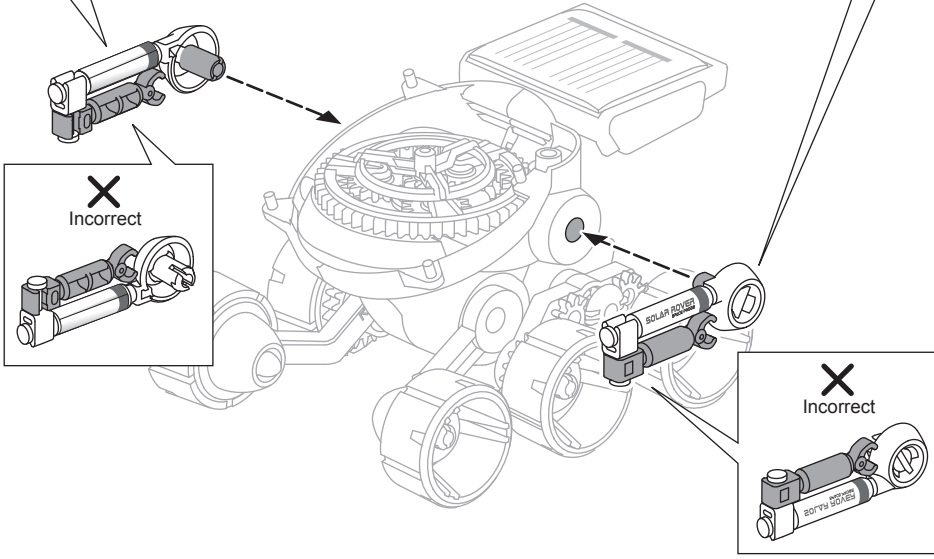
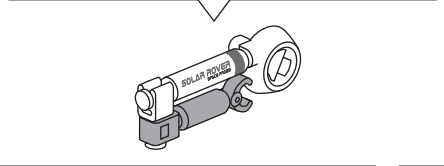
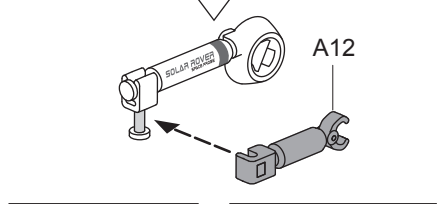
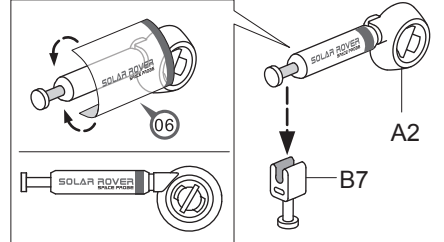
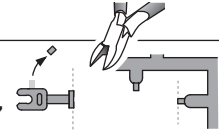
! Cut off the burrs before assembly.

B7

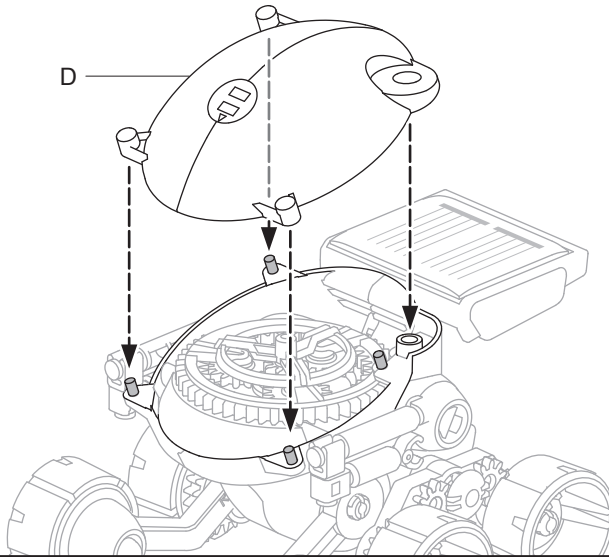


! Cut off the burrs before assembly.

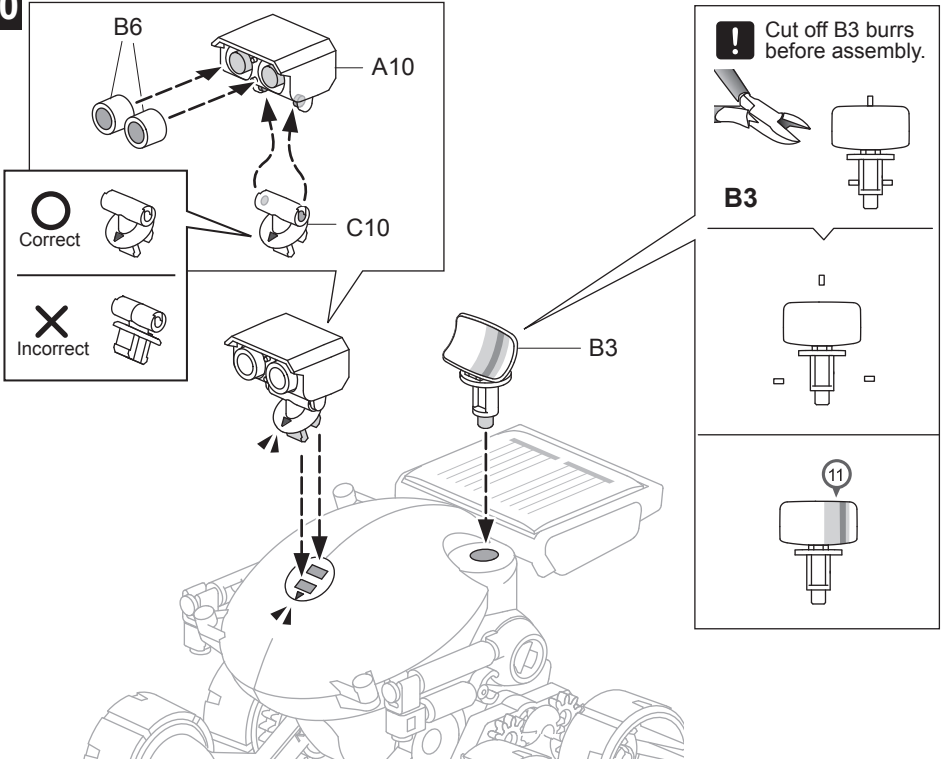
B7



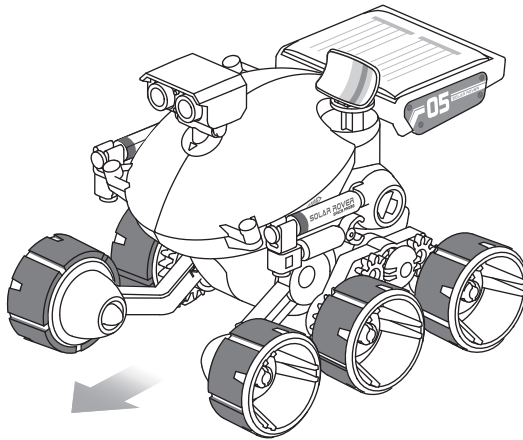
19



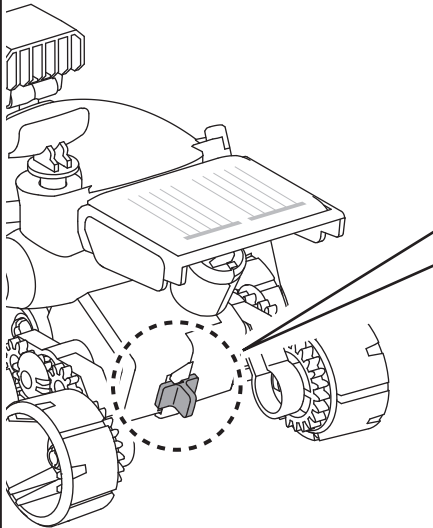
20



21 Running



How To Play



Mode
1

AUTOMATIC MODE

Under direct sunlight, Both Rover and Planetary gears start to run automatically.



Switch to Right

Mode
2

MANUAL MODE

Under direct sunlight, transmission Planetary Gears keep running, but Rover will only run by being pushed manually.

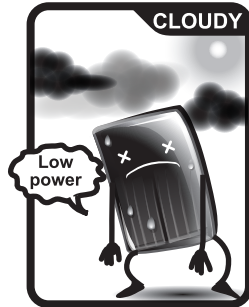
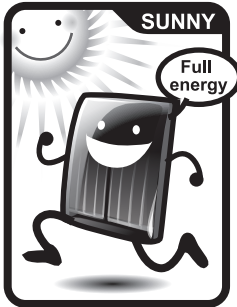


Switch to Left

TroubleShooting

If it doesnot run smoothly, please check if all burrs are cut thoroughly.

It's time to have some FUN !



1. Take outside under direct sunlight. Best results are obtained when operated on a sunny day.
2. For indoor fun, use a 50 watt halogen light. The product will not run on a cloudy day, shaded locations, indirect sunlight, or under a Fluorescent light.

